



**Manufacturer of Precision
Hydraulic Cylinders
and Components**



HD Series

Heavy Duty – 3000 PSI

PRESSURE CHART

PUSH with Various Pressure

Bore	3000	2500	2000	1500	1250	1000	750	500	250
6.00	84823	70686	56549	42412	35343	28274	21206	14137	7069
5.00	58905	49087	39270	29452	24544	19635	14726	9817	4909
4.00	37699	31416	25133	18850	15708	12566	9425	6283	3142
3.50	28863	24053	19242	14432	12026	9621	7216	4811	2405
3.00	21206	17671	14137	10603	8836	7069	5301	3534	1767
2.50	14726	12272	9817	7363	6136	4909	3682	2454	1227
2.00	9425	7854	6283	4712	3927	3142	2356	1571	785
1.50	5301	4418	3534	2651	2209	1767	1325	884	442

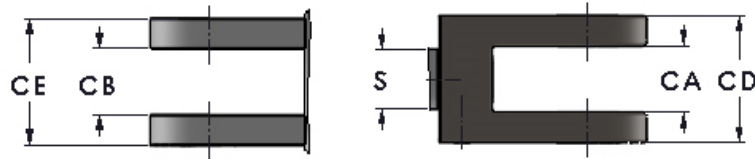
PULL with Various Pressure

Bore	Rod	3000	2500	2000	1500	1250	1000	750	500	250
6.00	3.50	55960	46633	37306	27980	23317	18653	13990	9327	4663
6.00	3.00	63617	53014	42412	31809	26507	21206	15904	10603	5301
6.00	2.50	70097	58414	46731	35048	29207	23366	17524	11683	5841
5.00	3.00	37699	31416	25133	18850	15708	12566	9425	6283	3142
5.00	2.50	44179	36816	29452	22089	18408	14726	11045	7363	3682
4.00	2.50	22973	19144	15315	11486	9572	7658	5743	3829	1914
4.00	2.00	28274	23562	18850	14137	11781	9425	7069	4712	2356
3.50	2.00	19439	16199	12959	9719	8099	6480	4860	3240	1620
3.50	1.75	21648	18040	14432	10824	9020	7216	5412	3608	1804
3.00	1.75	13990	11658	9327	6995	5829	4663	3497	2332	1166
3.00	1.50	15904	13254	10603	7952	6627	5301	3976	2651	1325
2.50	1.50	9425	7854	6283	4712	3927	3142	2356	1571	785
2.50	1.25	11045	9204	7363	5522	4602	3682	2761	1841	920
2.00	1.25	5743	4786	3829	2872	2393	1914	1436	957	479
2.00	1.00	7069	5890	4712	3534	2945	2356	1767	1178	589
1.50	1.00	2945	2454	1963	1473	1227	982	736	491	245
1.50	0.75	3976	3313	2651	1988	1657	1325	994	663	331

NOTE: The PULL at a given pressure will change according to shaft size

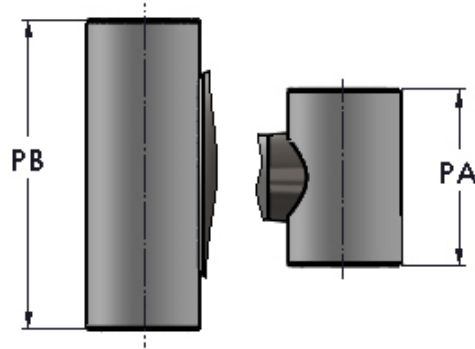


CLEVIS MOUNT



BORE	A	B	C	D	E	F	G	H	P	S	T	X	RA	RB	CA	CB	CD	CE
2	5 1/2	10 3/8	2 3/4	2 1/2	1 5/8	2 1/8	2 3/8	3	3/8 NPTF	1	3/4 - 16 UNF	1 - 1/64	1	1	1 1/8	1 1/8	2 1/8	2 1/8
2 1/2	5 1/2	10 3/8	2 3/4	2 1/2	1 1/8	2 1/8	2 7/8	3 1/2	3/8 NPTF	1 1/8	3/4 - 16 UNF	1 - 1/64	1	1	1 1/8	1 1/8	2 1/8	2 1/8
3	6 3/8	11 7/8	3 1/2	3 1/4	2 1/8	2 1/8	3 1/2	4 1/4	1/2 NPTF	1 1/4	1 - 14 NS	1 - 1/64	1	1	1 1/8	1 1/8	2 1/8	2 1/8
3 1/2	6 5/8	12	3 1/2	3 1/4	2 1/8	2 1/8	4	4 3/4	1/2 NPTF	1 1/2	1 - 14 NS	1 - 1/64	1	1	1 1/8	1 1/8	2 1/8	2 1/8
4	6 5/8	12	3 1/2	3 1/4	2 1/8	2 1/8	4 1/2	5 1/4	1/2 NPTF	1 1/2	1 - 14 NS	1 - 1/64	1	1	1 1/8	1 1/8	2 1/8	2 1/8
4 1/2	6 3/4	12 3/4	3 7/8	3 5/8	2 3/8	2 3/8	5	5 3/4	1/2 NPTF	2	1 1/4 - 12 UNF	1 - 17/64	1 1/4	1 1/4	1 1/2	1 1/2	3	3
5	7 1/4	13 1/4	3 7/8	3 5/8	2 3/8	2 3/8	5 1/2	6 1/4	3/4 NPTF	2	1 1/4 - 12 UNF	1 - 17/64	1 1/4	1 1/4	1 1/2	1 1/2	3	3
6	7 3/8	13 1/2	3 7/8	3 5/8	2 3/8	2 3/8	6 3/4	7 1/2	3/4 NPTF	2	1 1/4 - 12 UNF	1 - 17/64	1 1/4	1 1/4	1 1/2	1 1/2	3	3

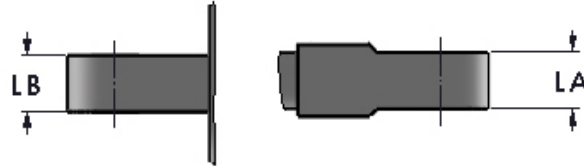
PINEYE MOUNT



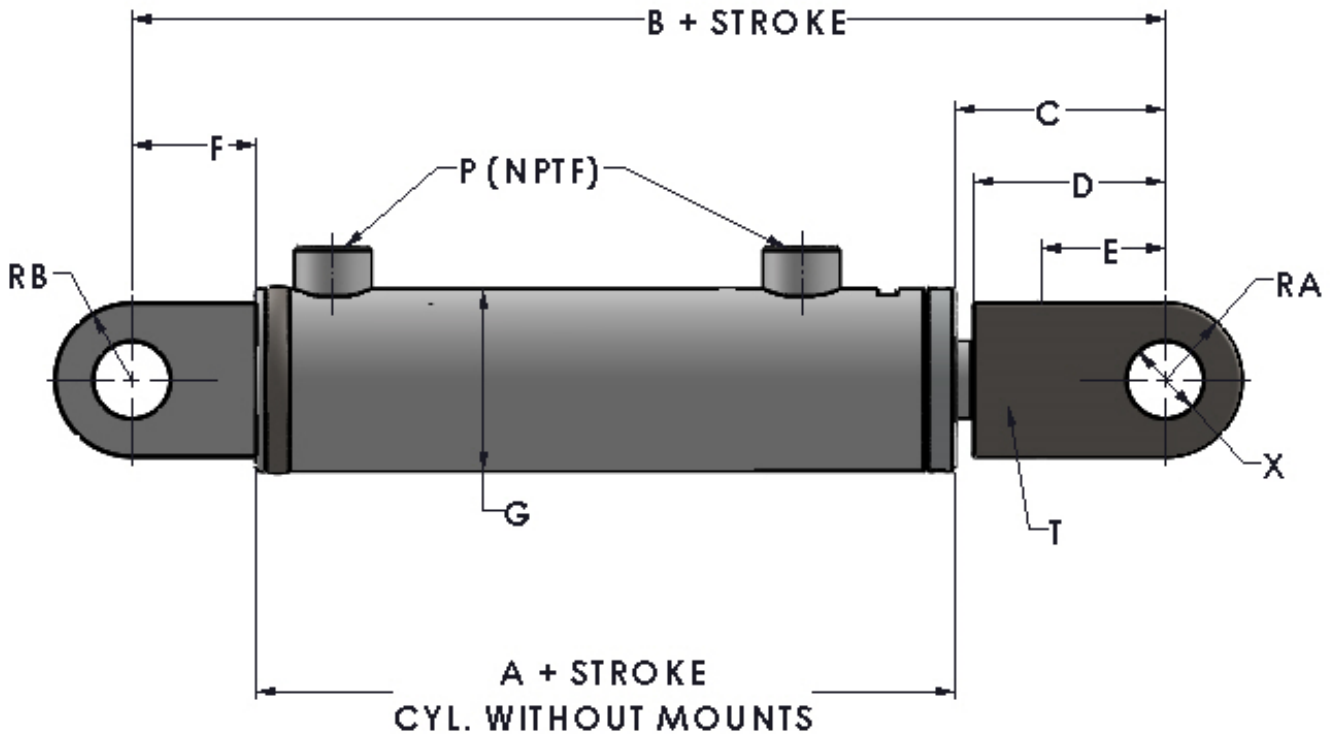
BORE	A	B	C	D	E	F	G	H	P	S	T	X	RA	RB	PA	PB
2	5 1/2	8 5/8	2 1/4	2	1	7/8	2 3/8	3	3/8 NPTF	1	3/4 - 16 UNF	1 - 1/64	1	1	2 1/4	3
2 1/2	5 1/2	8 5/8	2 1/4	2	1	7/8	2 7/8	3 1/2	3/8 NPTF	1 1/8	3/4 - 16 UNF	1 - 1/64	1	1	2 1/4	3 1/4
3	6 3/8	9 3/8	2 1/4	2	1	7/8	3 1/2	4 1/4	1/2 NPTF	1 1/4	1 - 14 NS	1 - 1/64	1	1	2 3/4	4
3 1/2	6 5/8	9 1/2	2 1/4	2	1	7/8	4	4 3/4	1/2 NPTF	1 1/2	1 - 14 NS	1 - 1/64	1	1	2 3/4	4 1/2
4	6 5/8	9 1/2	2 1/4	2	1	7/8	4 1/2	5 1/4	1/2 NPTF	1 1/2	1 - 14 NS	1 - 1/64	1	1	2 3/4	5
4 1/2	6 3/4	10 3/8	2 3/4	2 1/2	1 1/8	1 1/8	5	5 3/4	1/2 NPTF	2	1 1/4 - 12 UNF	1 - 17/64	1 1/4	1 1/4	3 1/4	5 1/2
5	7 1/4	10 7/8	2 3/4	2 1/2	1 1/8	1 1/8	5 1/2	6 1/4	3/4 NPTF	2	1 1/4 - 12 UNF	1 - 17/64	1 1/4	1 1/4	3 1/4	6
6	7 5/8	11 1/8	2 3/4	2 1/2	1 1/8	1 1/8	6 3/4	7 1/2	3/4 NPTF	2	1 1/4 - 12 UNF	1 - 17/64	1 1/4	1 1/4	3 1/4	7



SINGLE LUG MOUNT



BORE	A	B	C	D	E	F	G	H	P	S	T	X	RA	RB	LA	LB
2	5 1/2	10 3/8	2 3/4	2 1/2	1 5/8	2 1/8	2 3/8	3	3/8 NPTF	1	3/4 - 16 UNF	1 1/64	1	1	3/4	3/4
2 1/2	5 1/2	10 3/8	2 3/4	2 1/2	1 5/8	2 1/8	2 7/8	3 1/2	3/8 NPTF	1 1/8	3/4 - 16 UNF	1 1/64	1	1	3/4	3/4
3	6 3/8	11 7/8	3 1/2	3 1/4	2 1/8	2 1/8	3 1/2	4 1/4	1/2 NPTF	1 1/4	1 - 14 NS	1 1/64	1 1/4	1 1/4	1 1/8	1 1/8
3 1/2	6 5/8	12	3 1/2	3 1/4	2 1/8	2 1/8	4	4 3/4	1/2 NPTF	1 1/2	1 - 14 NS	1 1/64	1 1/4	1 1/4	1 1/8	1 1/8
4	6 5/8	12	3 1/2	3 1/4	2 1/8	2 1/8	4 1/2	5 1/4	1/2 NPTF	1 1/2	1 - 14 NS	1 1/64	1 1/4	1 1/4	1 1/8	1 1/8
4 1/2	6 3/4	12 3/4	3 7/8	3 5/8	2 3/8	2 3/8	5	5 3/4	1/2 NPTF	2	1 1/4 - 12 UNF	1 17/64	1 1/2	1 1/2	1 1/2	1 1/2
5	7 1/4	13 1/4	3 7/8	3 5/8	2 3/8	2 3/8	5 1/2	6 1/4	3/4 NPTF	2	1 1/4 - 12 UNF	1 17/64	1 1/2	1 1/2	1 1/2	1 1/2
6	7 5/8	13 1/2	3 7/8	3 5/8	2 3/8	2 3/8	6 3/4	7 1/2	3/4 NPTF	2	1 1/4 - 12 UNF	1 17/64	1 1/2	1 1/2	1 1/2	1 1/2





LD Series

PRESSURE CHART

Light Duty – 2500 PSI

PUSH with Various Pressure

Bore	3000	2500	2000	1500	1250	1000	750	500	250
6.00	84823	70686	56549	42412	35343	28274	21206	14137	7069
5.00	58905	49087	39270	29452	24544	19635	14726	9817	4909
4.00	37699	31416	25133	18850	15708	12566	9425	6283	3142
3.50	28863	24053	19242	14432	12026	9621	7216	4811	2405
3.00	21206	17671	14137	10603	8836	7069	5301	3534	1767
2.50	14726	12272	9817	7363	6136	4909	3682	2454	1227
2.00	9425	7854	6283	4712	3927	3142	2356	1571	785
1.50	5301	4418	3534	2651	2209	1767	1325	884	442

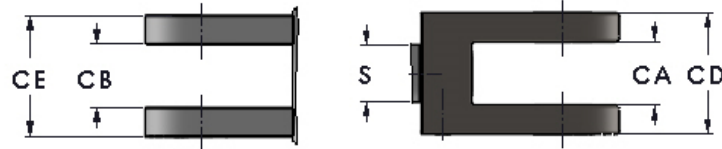
PULL with Various Pressure

Bore	Rod	3000	2500	2000	1500	1250	1000	750	500	250
6.00	3.50	55960	46633	37306	27980	23317	18653	13990	9327	4663
6.00	3.00	63617	53014	42412	31809	26507	21206	15904	10603	5301
6.00	2.50	70097	58414	46731	35048	29207	23366	17524	11683	5841
5.00	3.00	37699	31416	25133	18850	15708	12566	9425	6283	3142
5.00	2.50	44179	36816	29452	22089	18408	14726	11045	7363	3682
4.00	2.50	22973	19144	15315	11486	9572	7658	5743	3829	1914
4.00	2.00	28274	23562	18850	14137	11781	9425	7069	4712	2356
3.50	2.00	19439	16199	12959	9719	8099	6480	4860	3240	1620
3.50	1.75	21648	18040	14432	10824	9020	7216	5412	3608	1804
3.00	1.75	13990	11658	9327	6995	5829	4663	3497	2332	1166
3.00	1.50	15904	13254	10603	7952	6627	5301	3976	2651	1325
2.50	1.50	9425	7854	6283	4712	3927	3142	2356	1571	785
2.50	1.25	11045	9204	7363	5522	4602	3682	2761	1841	920
2.00	1.25	5743	4786	3829	2872	2393	1914	1436	957	479
2.00	1.00	7069	5890	4712	3534	2945	2356	1767	1178	589
1.50	1.00	2945	2454	1963	1473	1227	982	736	491	245
1.50	0.75	3976	3313	2651	1988	1657	1325	994	663	331

NOTE: The PULL at a given pressure will change according to shaft size

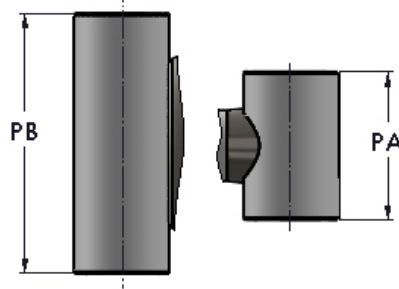


CLEVIS MOUNT



BORE	A	B	C	D	E	F	G	P	S	T	X	RA	RB	CA	CB	CD	CE
1 1/2	4	7 1/4	2 1/8	1 7/8	1 1/8	1 1/8	1 7/8	1/4 NPTF	3/4	5/8 - 18 UNF	49/64	3/4	3/4	13/16	13/16	1 3/4	1 3/4
2	4 3/4	9 5/8	2 3/4	2 1/2	1 5/8	2 1/8	2 3/8	3/8 NPTF	1	3/4 - 16 UNF	1 - 1/64	1	1	1 1/8	1 1/8	2 1/8	2 1/8
2 1/2	4 3/4	9 5/8	2 3/4	2 1/2	1 5/8	2 1/8	2 7/8	3/8 NPTF	1 1/8	3/4 - 16 UNF	1 - 1/64	1	1	1 1/8	1 1/8	2 1/8	2 1/8
3	5 1/8	10 5/8	3 1/2	3 1/4	2 1/8	2 1/8	3 3/8	1/2 NPTF	1 1/4	1 - 14 NS	1 - 1/64	1	1	1 1/8	1 1/8	2 1/8	2 1/8
3 1/2	5 1/2	10 7/8	3 1/2	3 1/4	2 1/8	2 1/8	3 7/8	1/2 NPTF	1 1/4	1 - 14 NS	1 - 1/64	1	1	1 1/8	1 1/8	2 1/8	2 1/8
4	5 3/4	11 1/8	3 1/2	3 1/4	2 1/8	2 1/8	4 1/2	1/2 NPTF	1 1/4	1 - 14 NS	1 - 1/64	1	1	1 1/8	1 1/8	2 1/8	2 1/8
4 1/2	6 1/4	12 1/2	3 7/8	3 5/8	2 3/8	2 3/8	5	1/2 NPTF	1 1/2	1 1/4 - 12 UNF	1 - 17/64	1 1/4	1 1/4	1 1/2	1 1/2	3	3
5	6 3/4	12 3/4	3 7/8	3 5/8	2 3/8	2 3/8	5 1/2	3/4 NPTF	1 1/2	1 1/4 - 12 UNF	1 - 17/64	1 1/4	1 1/4	1 1/2	1 1/2	3	3
6	7 3/8	13 1/4	3 7/8	3 5/8	2 3/8	2 3/8	6 3/4	3/4 NPTF	2	1 1/4 - 12 UNF	1 - 17/64	1 1/4	1 1/4	1 1/2	1 1/2	3	3

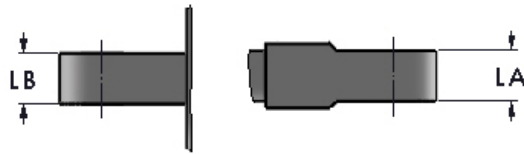
PINEYE MOUNT



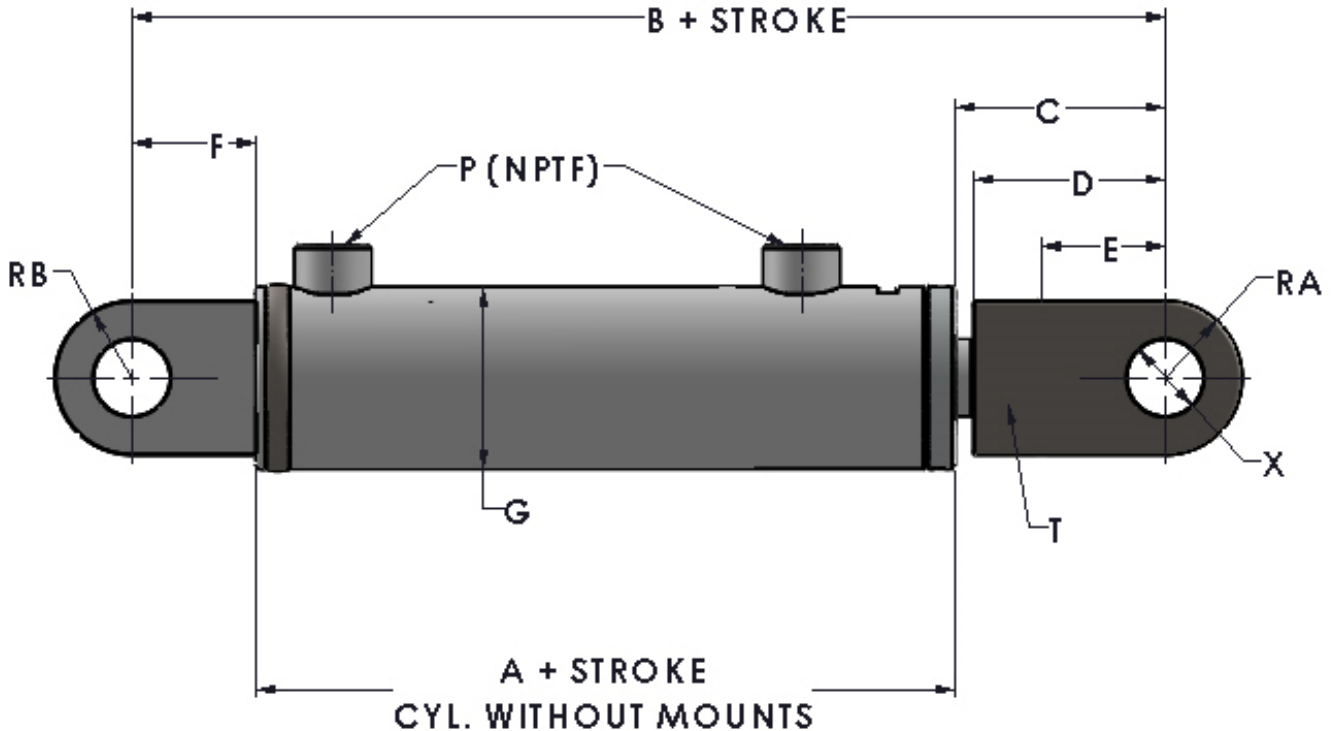
BORE	A	B	C	D	E	F	G	P	S	T	X	RA	RB	PA	PB
1 1/2	4	6 3/8	1 3/4	1 1/2	3/4	5/8	1 7/8	1/4 NPTF	3/4	5/8 - 18 UNF	49/64	3/4	3/4	1 3/4	2
2	4 3/4	7 7/8	2 1/4	2	1	7/8	2 3/8	3/8 NPTF	1	3/4 - 16 UNF	1 - 1/64	1	1	2 1/4	3
2 1/2	4 3/4	7 7/8	2 1/4	2	1	7/8	3 7/8	3/8 NPTF	1 1/8	3/4 - 16 UNF	1 - 1/64	1	1	2 1/4	3 1/4
3	5 1/8	8 1/8	2 1/4	2	1	7/8	3 3/8	1/2 NPTF	1 1/4	1 - 14 NS	1 - 1/64	1	1	2 3/4	4
3 1/2	5 1/2	8 3/8	2 1/4	2	1	7/8	3 7/8	1/2 NPTF	1 1/4	1 - 14 NS	1 - 1/64	1	1	2 3/4	4 1/2
4	5 3/4	8 5/8	2 1/4	2	1	7/8	4 1/2	1/2 NPTF	1 1/4	1 - 14 NS	1 - 1/64	1	1	2 3/4	5
4 1/2	6 1/4	10 1/8	2 3/4	2 1/2	1 1/4	1 1/8	5	1/2 NPTF	1 1/2	1 1/4 - 12 UNF	1 - 17/64	1 1/4	1 1/4	3 1/4	5 1/2
5	6 3/4	10 3/8	2 3/4	2 1/2	1 1/4	1 1/8	5 1/2	3/4 NPTF	1 1/2	1 1/4 - 12 UNF	1 - 17/64	1 1/4	1 1/4	3 1/4	6
6	7 3/8	10 7/8	2 3/4	2 1/2	1 1/4	1 1/8	6 3/4	3/4 NPTF	2	1 1/4 - 12 UNF	1 - 17/64	1 1/4	1 1/4	3 1/4	7



SINGLE LUG MOUNT



BORE	A	B	C	D	E	F	G	P	S	T	X	RA	RB	LA	LB
1 1/2	4	7 1/4	2 1/8	1 7/8	1 1/8	1 1/8	1 7/8	1/4 NPTF	3/4	5/8 - 18 UNF	49/64	3/4	3/4	3/4	3/4
2	4 3/4	9 5/8	2 3/4	2 1/2	1 5/8	2 1/8	2 3/8	3/8 NPTF	1	3/4 - 16 UNF	1 1/64	1	1	3/4	3/4
2 1/2	4 3/4	9 5/8	2 3/4	2 1/2	1 5/8	2 1/8	2 7/8	3/8 NPTF	1 1/8	3/4 - 16 UNF	1 1/64	1	1	3/4	3/4
3	5 1/8	10 5/8	3 1/2	3 1/4	2 1/8	2 1/8	3 3/8	1/2 NPTF	1 1/4	1 1/4 NS	1 1/64	1 1/4	1 1/4	1 1/8	1 1/8
3 1/2	5 1/2	10 7/8	3 1/2	3 1/4	2 1/8	2 1/8	3 7/8	1/2 NPTF	1 1/4	1 1/4 NS	1 1/64	1 1/4	1 1/4	1 1/8	1 1/8
4	5 3/4	11 1/8	3 1/2	3 1/4	2 1/8	2 1/8	4 1/2	1/2 NPTF	1 1/4	1 1/4 NS	1 1/64	1 1/4	1 1/4	1 1/8	1 1/8
4 1/2	6 1/4	12 1/2	3 7/8	3 5/8	2 3/8	2 3/8	5	1/2 NPTF	2	1 1/4 - 12 UNF	1 17/64	1 1/2	1 1/2	1 1/2	1 1/2
5	6 3/4	12 3/4	3 7/8	3 5/8	2 3/8	2 3/8	5 1/2	3/4 NPTF	1 1/2	1 1/4 - 12 UNF	1 17/64	1 1/2	1 1/2	1 1/2	1 1/2
6	7 3/8	13 1/4	3 7/8	3 5/8	2 3/8	2 3/8	6 3/4	3/4 NPTF	2	1 1/4 - 12 UNF	1 17/64	1 1/2	1 1/2	1 1/2	1 1/2





MD Series

Medium Duty – 3000 PSI

PRESSURE CHART

PUSH with Various Pressure

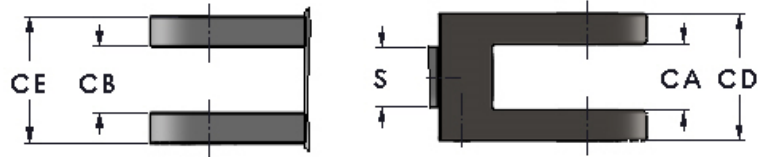
Bore	3000	2500	2000	1500	1250	1000	750	500	250
6.00	84823	70686	56549	42412	35343	28274	21206	14137	7069
5.00	58905	49087	39270	29452	24544	19635	14726	9817	4909
4.00	37699	31416	25133	18850	15708	12566	9425	6283	3142
3.50	28863	24053	19242	14432	12026	9621	7216	4811	2405
3.00	21206	17671	14137	10603	8836	7069	5301	3534	1767
2.50	14726	12272	9817	7363	6136	4909	3682	2454	1227
2.00	9425	7854	6283	4712	3927	3142	2356	1571	785
1.50	5301	4418	3534	2651	2209	1767	1325	884	442

PULL with Various Pressure

Bore	Rod	3000	2500	2000	1500	1250	1000	750	500	250
6.00	3.50	55960	46633	37306	27980	23317	18653	13990	9327	4663
6.00	3.00	63617	53014	42412	31809	26507	21206	15904	10603	5301
6.00	2.50	70097	58414	46731	35048	29207	23366	17524	11683	5841
5.00	3.00	37699	31416	25133	18850	15708	12566	9425	6283	3142
5.00	2.50	44179	36816	29452	22089	18408	14726	11045	7363	3682
4.00	2.50	22973	19144	15315	11486	9572	7658	5743	3829	1914
4.00	2.00	28274	23562	18850	14137	11781	9425	7069	4712	2356
3.50	2.00	19439	16199	12959	9719	8099	6480	4860	3240	1620
3.50	1.75	21648	18040	14432	10824	9020	7216	5412	3608	1804
3.00	1.75	13990	11658	9327	6995	5829	4663	3497	2332	1166
3.00	1.50	15904	13254	10603	7952	6627	5301	3976	2651	1325
2.50	1.50	9425	7854	6283	4712	3927	3142	2356	1571	785
2.50	1.25	11045	9204	7363	5522	4602	3682	2761	1841	920
2.00	1.25	5743	4786	3829	2872	2393	1914	1436	957	479
2.00	1.00	7069	5890	4712	3534	2945	2356	1767	1178	589
1.50	1.00	2945	2454	1963	1473	1227	982	736	491	245
1.50	0.75	3976	3313	2651	1988	1657	1325	994	663	331

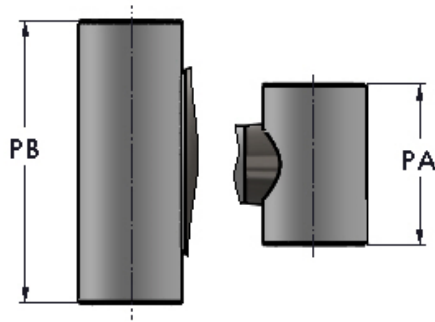


CLEVIS MOUNT



BORE	A	B	C	D	E	F	G	H	P	S	T	X	RA	RB	CA	CB	CD	CE
2	5 1/2	10 3/8	2 3/4	2 1/2	1 5/8	2 1/8	2 3/8	3	3/8 NPTF	1	3/4 - 16 UNF	1 - 1/64	1	1	1 1/8	1 1/8	2 1/8	2 1/8
2 1/2	5 1/2	10 3/8	2 3/4	2 1/2	1 1/8	2 1/8	2 7/8	3 1/2	3/8 NPTF	1 1/8	3/4 - 16 UNF	1 - 1/64	1	1	1 1/8	1 1/8	2 1/8	2 1/8
3	6 3/8	11 7/8	3 1/2	3 1/4	2 1/8	2 1/8	3 1/2	4 1/4	1/2 NPTF	1 1/4	1 - 14 NS	1 - 1/64	1	1	1 1/8	1 1/8	2 1/8	2 1/8
3 1/2	6 5/8	12	3 1/2	3 1/4	2 1/8	2 1/8	4	4 3/4	1/2 NPTF	1 1/2	1 - 14 NS	1 - 1/64	1	1	1 1/8	1 1/8	2 1/8	2 1/8
4	6 5/8	12	3 1/2	3 1/4	2 1/8	2 1/8	4 1/2	5 1/4	1/2 NPTF	1 1/2	1 - 14 NS	1 - 1/64	1	1	1 1/8	1 1/8	2 1/8	2 1/8
4 1/2	6 3/4	12 3/4	3 7/8	3 5/8	2 3/8	2 3/8	5	5 3/4	1/2 NPTF	2	1 1/4 - 12 UNF	1 - 17/64	1 1/4	1 1/4	1 1/2	1 1/2	3	3
5	7 1/4	13 1/4	3 7/8	3 5/8	2 3/8	2 3/8	5 1/2	6 1/4	3/4 NPTF	2	1 1/4 - 12 UNF	1 - 17/64	1 1/4	1 1/4	1 1/2	1 1/2	3	3
6	7 3/8	13 1/2	3 7/8	3 5/8	2 3/8	2 3/8	6 3/4	7 1/2	3/4 NPTF	2	1 1/4 - 12 UNF	1 - 17/64	1 1/4	1 1/4	1 1/2	1 1/2	3	3

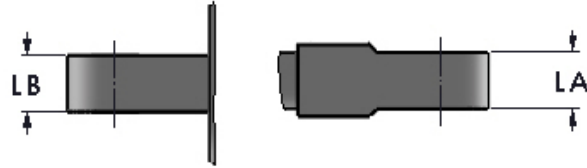
PINEYE MOUNT



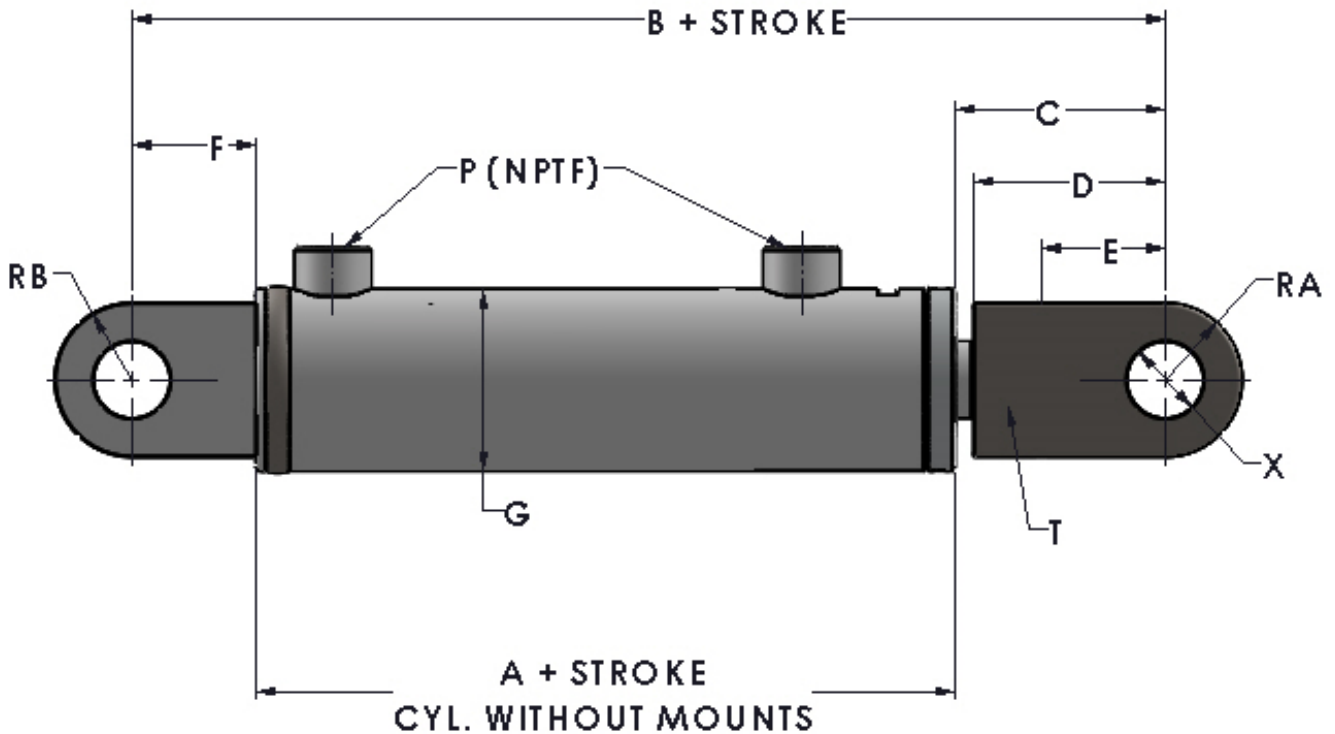
BORE	A	B	C	D	E	F	G	H	P	S	T	X	RA	RB	PA	PB
2	5 1/2	8 5/8	2 1/4	2	1	7/8	2 3/8	3	3/8 NPTF	1	3/4 - 16 UNF	1 - 1/64	1	1	2 1/4	3
2 1/2	5 1/2	8 5/8	2 1/4	2	1	7/8	2 7/8	3 1/2	3/8 NPTF	1 1/8	3/4 - 16 UNF	1 - 1/64	1	1	2 1/4	3 1/4
3	6 3/8	9 3/8	2 1/4	2	1	7/8	3 1/2	4 1/4	1/2 NPTF	1 1/4	1 - 14 NS	1 - 1/64	1	1	2 3/4	4
3 1/2	6 5/8	9 1/2	2 1/4	2	1	7/8	4	4 3/4	1/2 NPTF	1 1/2	1 - 14 NS	1 - 1/64	1	1	2 3/4	4 1/2
4	6 5/8	9 1/2	2 1/4	2	1	7/8	4 1/2	5 1/4	1/2 NPTF	1 1/2	1 - 14 NS	1 - 1/64	1	1	2 3/4	5
4 1/2	6 3/4	10 3/8	2 3/4	2 1/2	1 1/8	1 1/8	5	5 3/4	1/2 NPTF	2	1 1/4 - 12 UNF	1 - 17/64	1 1/4	1 1/4	3 1/4	5 1/2
5	7 1/4	10 7/8	2 3/4	2 1/2	1 1/8	1 1/8	5 1/2	6 1/4	3/4 NPTF	2	1 1/4 - 12 UNF	1 - 17/64	1 1/4	1 1/4	3 1/4	6
6	7 5/8	11 1/8	2 3/4	2 1/2	1 1/8	1 1/8	6 3/4	7 1/2	3/4 NPTF	2	1 1/4 - 12 UNF	1 - 17/64	1 1/4	1 1/4	3 1/4	7



SINGLE LUG MOUNT



BORE	A	B	C	D	E	F	G	H	P	S	T	X	RA	RB	LA	LB
2	5 1/2	10 3/8	2 3/4	2 1/2	1 5/8	2 1/8	2 3/8	3	3/8 NPTF	1	3/4 - 16 UNF	1 1/64	1	1	3/4	3/4
2 1/2	5 1/2	10 3/8	2 3/4	2 1/2	1 5/8	2 1/8	2 7/8	3 1/2	3/8 NPTF	1 1/8	3/4 - 16 UNF	1 1/64	1	1	3/4	3/4
3	6 3/8	11 7/8	3 1/2	3 1/4	2 1/8	2 1/8	3 1/2	4 1/4	1/2 NPTF	1 1/4	1 - 14 NS	1 1/64	1 1/4	1 1/4	1 1/8	1 1/8
3 1/2	6 5/8	12	3 1/2	3 1/4	2 1/8	2 1/8	4	4 3/4	1/2 NPTF	1 1/2	1 - 14 NS	1 1/64	1 1/4	1 1/4	1 1/8	1 1/8
4	6 5/8	12	3 1/2	3 1/4	2 1/8	2 1/8	4 1/2	5 1/4	1/2 NPTF	1 1/2	1 - 14 NS	1 1/64	1 1/4	1 1/4	1 1/8	1 1/8
4 1/2	6 3/4	12 3/4	3 7/8	3 5/8	2 3/8	2 3/8	5	5 3/4	1/2 NPTF	2	1 1/4 - 12 UNF	1 17/64	1 1/2	1 1/2	1 1/2	1 1/2
5	7 1/4	13 1/4	3 7/8	3 5/8	2 3/8	2 3/8	5 1/2	6 1/4	3/4 NPTF	2	1 1/4 - 12 UNF	1 17/64	1 1/2	1 1/2	1 1/2	1 1/2
6	7 5/8	13 1/2	3 7/8	3 5/8	2 3/8	2 3/8	6 3/4	7 1/2	3/4 NPTF	2	1 1/4 - 12 UNF	1 17/64	1 1/2	1 1/2	1 1/2	1 1/2





Rotary Joints

- Custom solutions tailored to meet your specific requirements
 - Multi-passage design
- Specialty seals for long service life
- Max pressure 3000 PSI



Temple Machine Shop, Inc. dba TMS Hydraulics
1401 North 14th Street Temple, Texas 76501
PH (254) 774-8099 FX (254) 774-9219